

# Hospitality Displays

## HJ690W Series (EU)

### Highlights

- Quantum Dot technology for brilliant color at any brightness
- Sleek and slim design that blends seamlessly into any room
- Quickly create and share personalized and promotional messaging
- Allow guests to manage in-room settings within an intuitive home menu
- Gauge and address maintenance needs in anticipation of guest requests
- Build compatible web applications within the powerful TIZEN OS



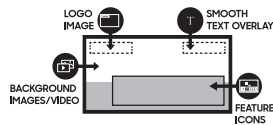
### A billion shades of color with Quantum Dot



Quantum Dot technology delivers our finest picture ever. With Color Volume 100%, Quantum Dot takes light and turns it into breathtaking color that stays true at any level of brightness.

\*100% color volume measured in Movie Mode and the DCI-P3 color space, certified by VDE.

### A tailored home menu



Each Samsung hospitality display includes an intuitive, customizable home menu that streamlines content exchange between hotels and guests. Content managers can easily incorporate images, logos and feature icons specific to guest needs while reinforcing special offers and hotel branding.

### Simple, compatible web app development



Beyond its advanced graphics capabilities, Samsung's H.Browser empowers smooth application development. All apps can be stored within the TIZEN OS and are supported by Web Simulator and Remote Web Inspector tools that further refine app performance and security.

### End-to-end personalized service



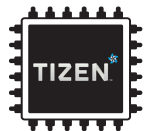
Hotels additionally can use LYNK REACH 4.0 to deliver customized guest messaging. Upon arrival, guests can receive a personalized greeting along with information about promotions or on-site amenities relevant to their stay. LYNK REACH 4.0 also provides express check-out for added convenience.

### Sleek and slim, more than ever



Ultra-slim design provides further flexibility, enabling hotel operators to create optimized room layouts that increase guest comfort.

### Powerful performance, enhanced security



Backed by the powerful TIZEN operating system, Samsung hospitality displays ensure secure content delivery across the application, platform and system layers.

### Centralized, real-time management



Compatible with existing LAN, Wi-Fi and coaxial infrastructures, Samsung's LYNK REACH 4.0 content platform centralizes and streamlines overall hotel maintenance. Hotel managers now can remedy issues across single displays or display groups before they escalate.

### Additional features

Plug and Play

LYNK DRM

Mobile Mirroring

Sound Bar Compatibility

SI Compatibility

Lan Out

Variable Speaker

Security Mode

ISTA

# Specifications

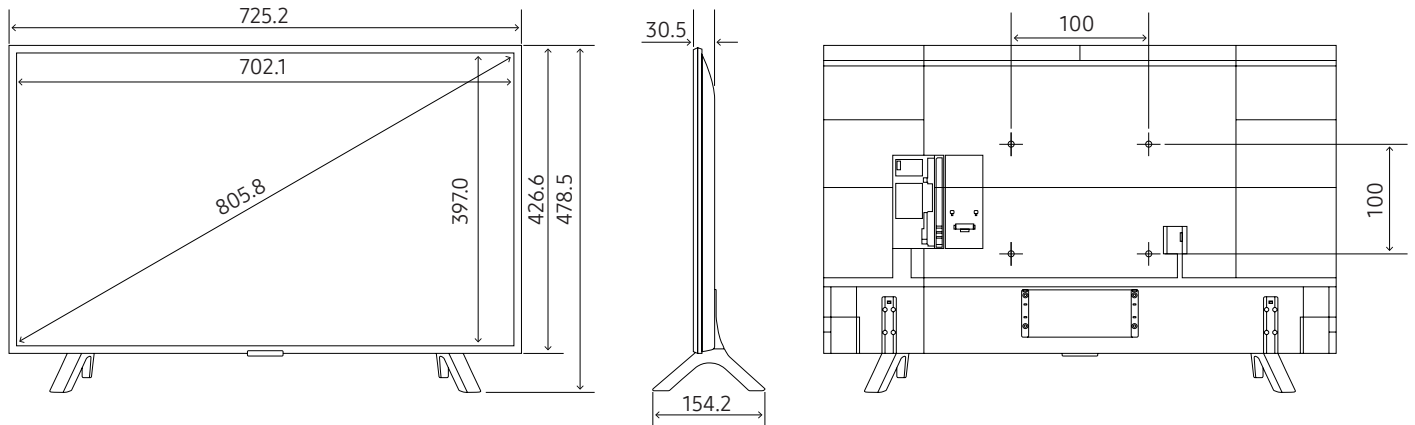
Model Code		HG32EJ690WUXEN
Display	Product	QLED
	Screen Size	32
	Resolution	1,920 x 1,080
Video	Picture Engine	Quantum Processor Lite
	Micro Dimming	Micro Dimming Pro
	Auto Motion Plus	Yes
	Film Mode	Yes
	Natural Mode Support	Yes
	PQI (Picture Quality Index)	2100
	HDR(High Dynamic Range)	HDR
	HLG (Hybrid Log Gamma)	Yes
	Contrast	Mega Contrast
	Color	100% Color Volume with Quantum Dot
	Viewing Angle (H/V)	178/178
	Contrast Enhancer	Yes
	Audio	Dolby Digital Plus
Sound Output (RMS)		20W
Speaker Type		2CH
Smart TV	Samsung SMART TV	Smart
	Web Browser	Yes
VESA	VESA Mount	100 x 100 mm
	VESA Screw Size	M4
	VESA Screw Depth	19-22
	Mobile to TV - Mirroring, DLNA	Yes
	360 Video Player	Yes
	360 Camera Support	Yes
General Feature	Accessibility	UK English, German, French, Spanish, Italian, Dutch, Polish, Danish, Swedish, Finnish, Norwegian, Portuguese, Russian(only when connecting to Network in EE, LV, LT)
	Digital Clean View	Yes
	Auto Channel Search	Yes
	Auto Power Off	Yes
	Caption (Subtitle)	Yes
	Connect Share™ (HDD)	Yes
	ConnectShare™ (USB 2.0)	Yes
	EPG	Yes
	OSD Language	27 European Languages + Russian(only when connecting to Network in EE, LV, LT)
	USB HID Support	Yes
	Teletext (TTX)	Yes
System	IPV6 Support	Yes
	Digital Broadcasting	DVB-T2CS2
	Analog Tuner	Yes
	CI (Common Interface)	CI+(1.4)
	Data Broadcasting	HbbTV 2.0.1(IT)/ HbbTV 1.5(CZ,SK,DE,AT,FR,ES,FI,EE,GR)/ HbbTV 1.0(PL,HU,CH,BE,NL,LU,PT,DK)/ MHEG 5(GB,IE)
Hospitality Feature	H.Browser Compatibility	Yes
	Samsung LYNK™ REACH (IP)	REACH 4.0
	Samsung LYNK™ REACH (RF)	REACH 4.0
	Hospitality Home Menu	Home Menu 2017
	Hospitality Plug&Play (Easy Set-up)	Yes
	Auto Source Mode	Yes
	Power On Mode	Yes
	Hotel Channel List	Yes
	Channel Menu Display	Yes
	Mixed Channel List (ATSC, DVB-T/T2/C/S2, Analog)	Yes
	My Channel	Yes
	Energy Saving Mode (BLU Control)	Yes
	Logo Display with Time Out Setting (BMP/Movie)	Yes
	Welcome Message	Yes
	RJ12/IR Pass Through	Yes
	Clock Back Up Supply	Yes
	Multi Code Remote Control	Yes
TTX Clock Update (Analogue)	Yes	

# Specifications

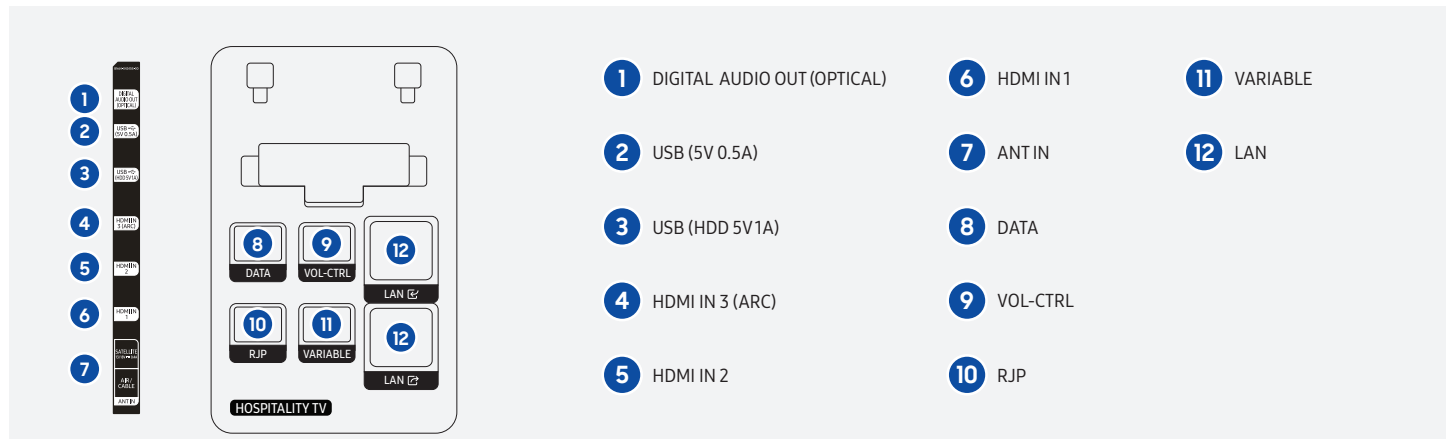
Model Code		HG32EJ690WUXEN
Hospitality Feature	USB Cloning	Yes
	Smovie Compatibility	Yes
	On/Off Timer (Schedule)	Yes
	Wake-up Timer (Alarm)	Yes
	Samsung LYNK™ DRM	Yes
	Security Mode	Yes
	S/W EPG (Solution EPG)	Yes
Input & Output	USB	2
	Ethernet (LAN)	1
	Digital Audio Out (Optical)	1
	RF In (Terrestrial / Cable input / Satellite Input)	1/1(Common Use for Terrestrial)/1
	CI Slot	1
	HDMI A / Return Ch. Support	Yes
	WiFi	Yes (WiFi4)
	Anynet+ (HDMI-CEC)	Yes
	Variable Audio Out	1
	Variable Audio Out Volume Control	Yes
	RJ12	1
	RJP (Remote Jackpack)	1
	Ethernet Bridge (LAN-Out)	1
Design	Front Color	BLACK
	Stand Type	SLIM FEET
	Bezel Type	VNB
Eco	Energy Efficiency Class	G
	Eco Sensor	Yes
Power	Power Supply (V)	AC220-240V 50/60Hz
	Power Consumption (Max)	80 W
	Power Consumption (Stand-by)	0.50 W
	Power Consumption (Typical)	33.0 W
Dimension	Set Dimension without Stand (WxHxD)	723.3 x 425.6 x 30.3 mm
	Set Dimension with Stand (WxHxD)	723.3 x 477.7 x 154.2 mm
	Package Dimension (WxHxD)	811.0 x 530.0 x 120.0 mm
Weight	Set Weight without Stand	5.3 kg
	Set Weight with Stand	5.4 kg
	Package Weight	7.6 kg
Accessory	Remote Controller Model	TM1240A
	Batteries (for Remote Control)	Yes
	VESA Wall Mount Supported	Yes
	Power Cable	Yes
	Quick Install Guide	Yes
	Data Cable	Yes
	Screwed Battery Cover (Remote Control)	Yes

## Specifications

32"



## Connectors



### About Samsung Electronics Co., Ltd.

Samsung Electronics Co., Ltd. inspires the world and shapes the future with transformative ideas and technologies. The company is redefining the worlds of TVs, smartphones, wearable devices, tablets, cameras, digital appliances, medical equipment, network systems, and semiconductor and LED solutions. For the latest news, please visit the Samsung Newsroom at [news.samsung.com](http://news.samsung.com).

### Hospitality Display

For more information about Samsung Hospitality Displays, visit [www.samsung.com/business](http://www.samsung.com/business) or [www.samsung.com/displaysolutions](http://www.samsung.com/displaysolutions)

Copyright © 2022 Samsung Electronics Co. Ltd. All rights reserved. Samsung is a registered trademark of Samsung Electronics Co. Ltd. Specifications and designs are subject to change without notice. Non-metric weights and measurements are approximate. All data were deemed correct at time of creation. Samsung is not liable for errors or omissions. All brand, product, service names and logos are trademarks and/or registered trademarks of their respective owners and are hereby recognized and acknowledged.

Samsung Electronics Co., Ltd.  
416, Maetan 3-dong, Yeongtong-gu, Suwon-si, Gyeonggi-do 443-772, Korea